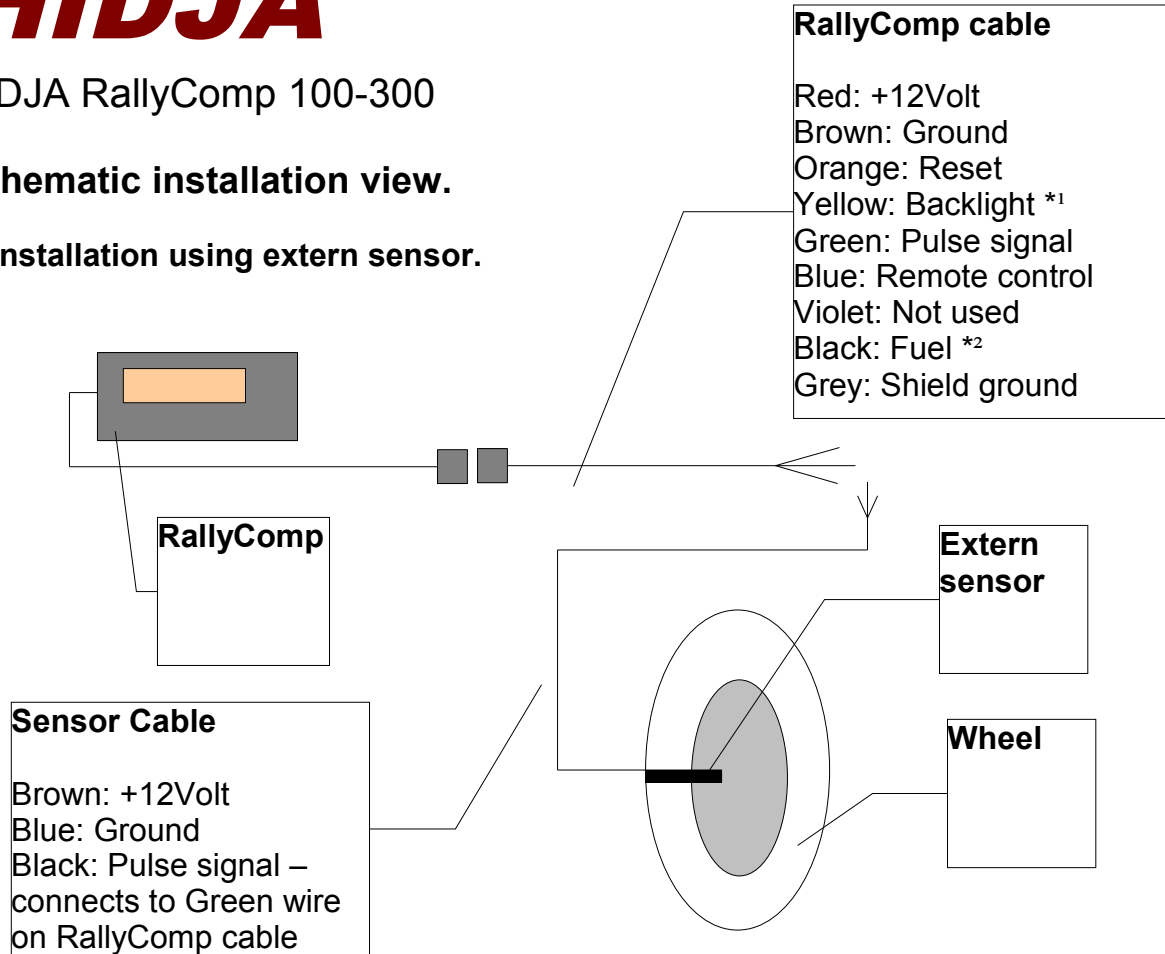


# HIDJA

HIDJA RallyComp 100-300

## Schematic installation view.

### 1. Installation using extern sensor.

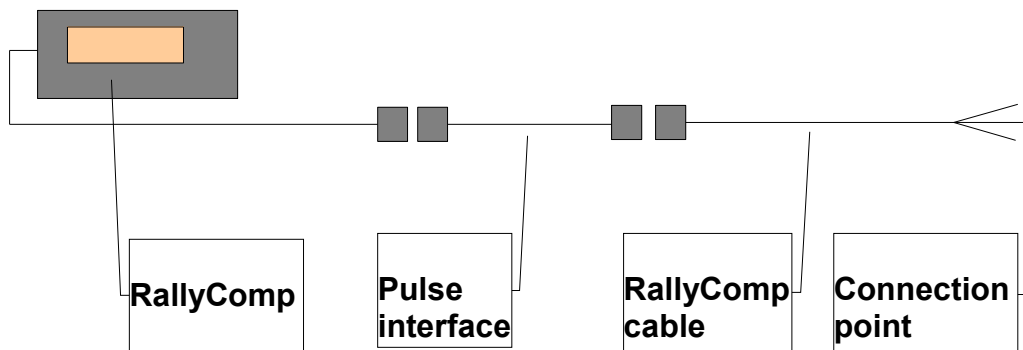


\*<sup>1</sup> – Not used by RallyComp 100

\*<sup>2</sup> – Not used by RallyComp 100 & 200

### 2. Installation using internal car pulse signal.

Because of different design of the signals used in different car models, different pulse interface might be needed, please contact Hindja AB for guidance for suitable interface.



Please note! HIDJA AB has no responsibility in installation, always contact car dealer if in doubt.

## HIDJA AB

Älvåkersgatan 1  
653 49 Karlstad  
Sweden

[www.hidja.se](http://www.hidja.se)

Tel : 46 (0)70 – 520 4973

Tel : +46 (0)54 – 850 930

E-Mail : [hidja@hidja.se](mailto:hidja@hidja.se)